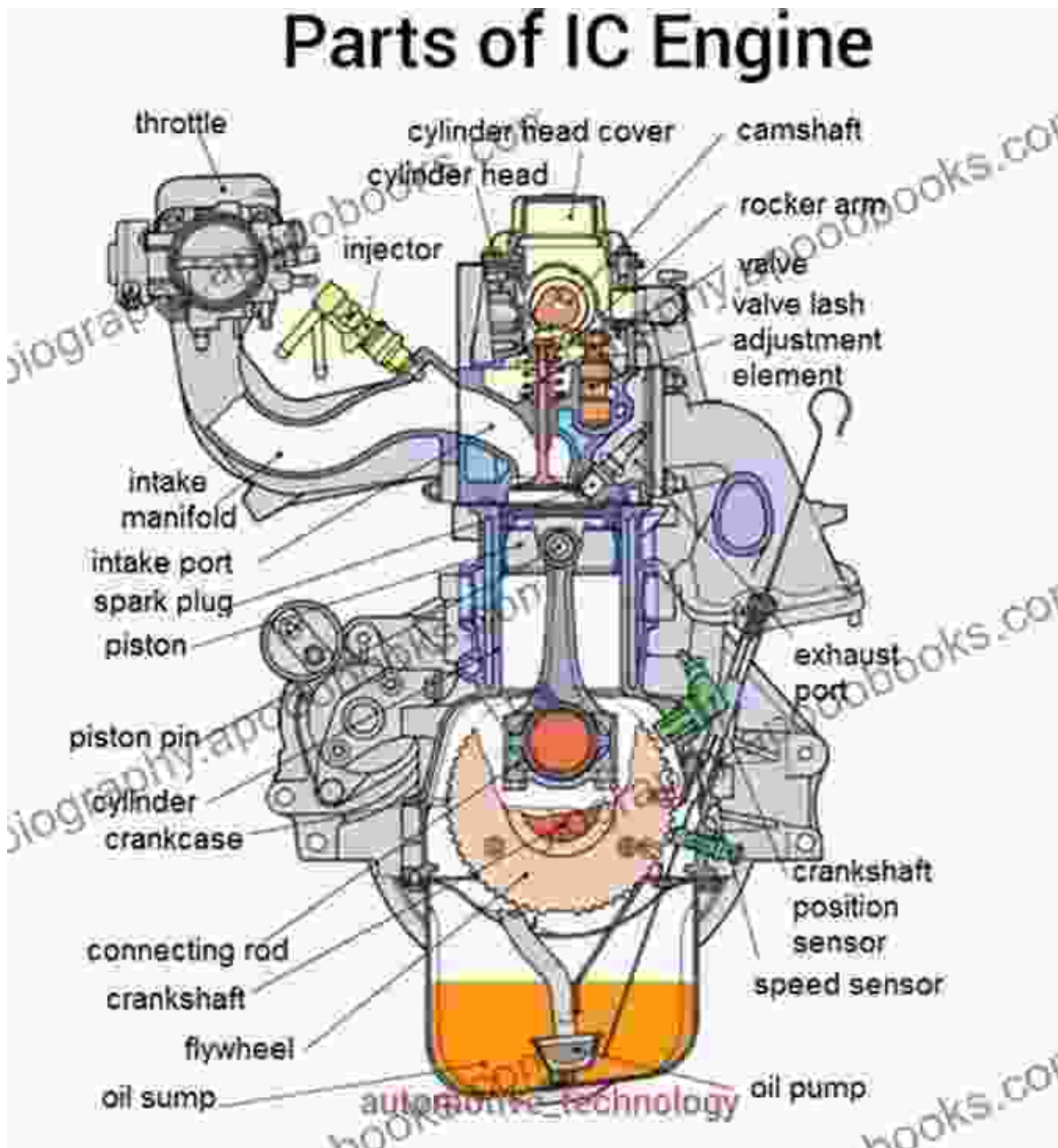


Improving Performance Fuel Economy And Emissions: The Ultimate Guide

Chapter 1: The Science of Performance



Internal Combustion Engines: Improving Performance, Fuel Economy and Emissions by Sophia Terazawa



★★★★★ 5 out of 5

Language : English
File size : 12323 KB
Text-to-Speech : Enabled
Screen Reader : Supported
Enhanced typesetting : Enabled
Print length : 285 pages



Delve into the intricate workings of your vehicle's engine, exploring the fundamental principles that govern its performance. Understand the concepts of torque, horsepower, and power curves, and learn how to optimize the engine's efficiency through tuning.

Chapter 2: Maximizing Fuel Economy

10 TIPS FOR A BETTER ECO DRIVING

BEFORE TRIP

1 Maintain your vehicle to keep it running efficiently:

- ▶ Use proper engine oil and air filters
- ▶ Check tires pressures
- ▶ Check axles alignment

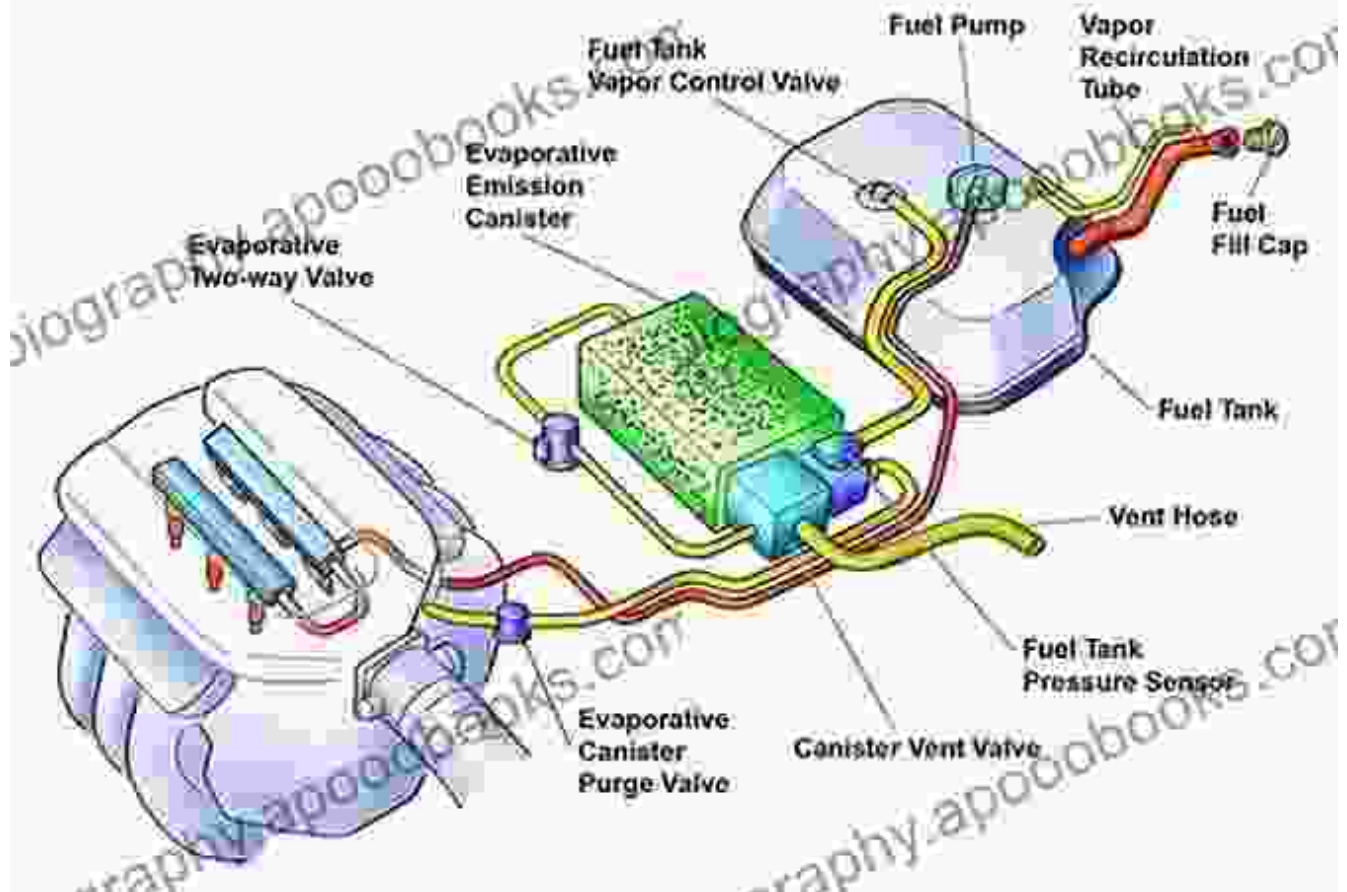
2 Plan your trips and



Uncover the secrets of fuel-efficient driving, from mastering the art of smooth acceleration and braking to leveraging cruise control. Discover the impact of tire pressure, vehicle weight, and aerodynamic drag on fuel consumption, and learn how to make informed choices that minimize your carbon footprint.

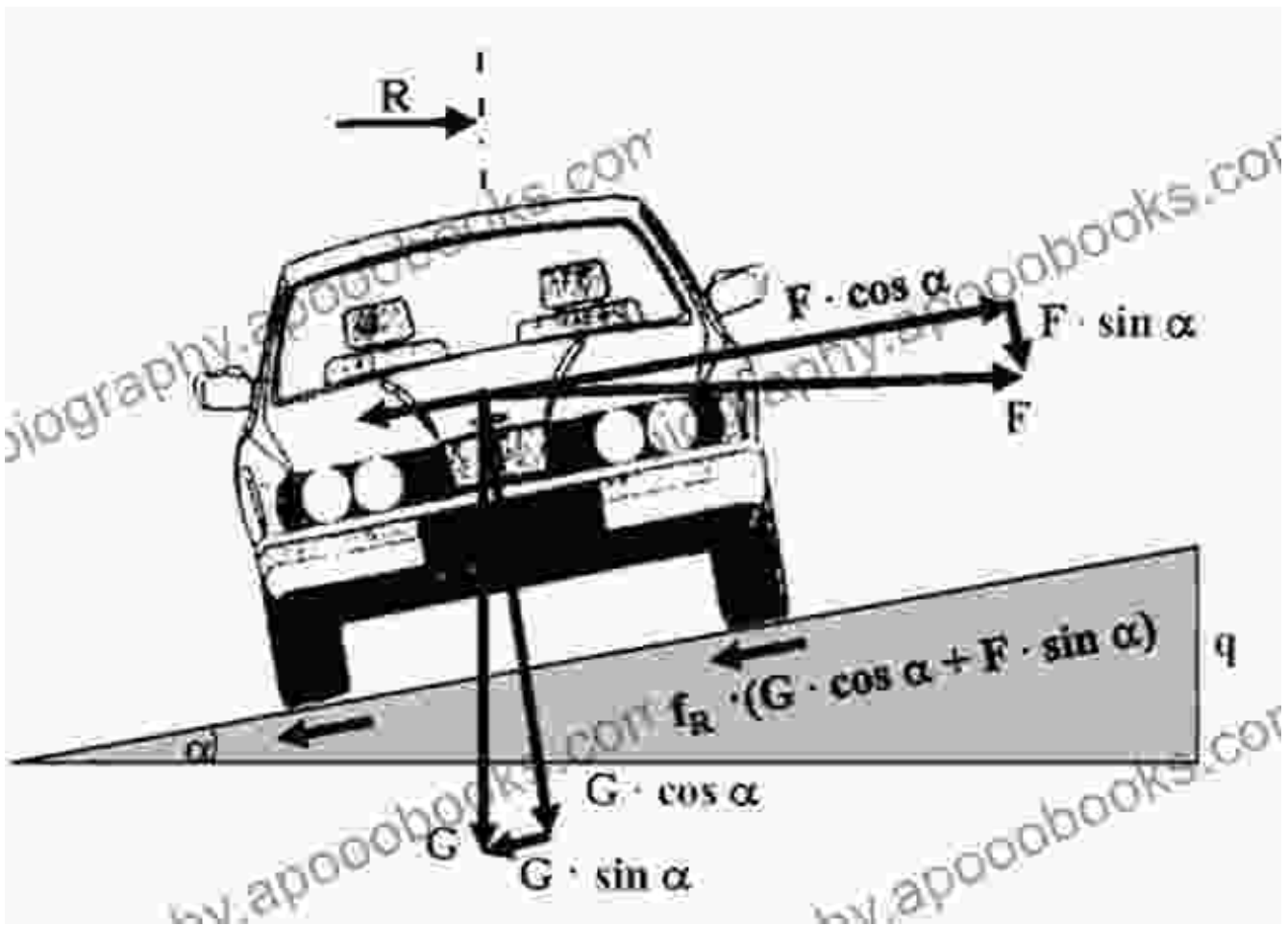
Chapter 3: Reducing Emissions

Evaporative Emissions System



Explore the various emission control systems in your vehicle and their role in reducing harmful pollutants. Understand the principles behind catalytic converters, particulate filters, and oxygen sensors, and learn how to maintain these systems for optimal performance.

Chapter 4: Vehicle Dynamics



Master the concepts of vehicle dynamics, from the forces that influence handling to the importance of suspension, tires, and braking systems. Learn how to optimize your vehicle's stability, responsiveness, and braking power.

Chapter 5: Sustainability and Innovation



Discover the latest advancements in automotive technology, including hybrid and electric powertrains, alternative fuels, and autonomous driving. Learn about the environmental benefits of these innovations and how they contribute to a more sustainable future.

Equip yourself with the knowledge and tools to transform your vehicle into a pinnacle of performance, fuel efficiency, and environmental consciousness. Embrace the principles outlined in this book and unlock the full potential of your automotive companion.

Free Download your copy of "Improving Performance Fuel Economy And Emissions" today and elevate your driving experience to new heights.

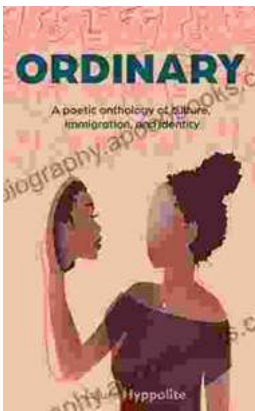
[Free Download Now](#)



Internal Combustion Engines: Improving Performance, Fuel Economy and Emissions by Sophia Terazawa

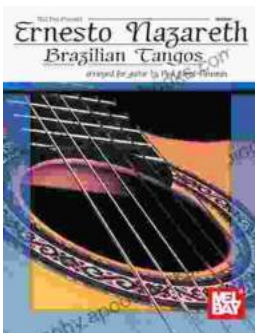
★★★★★ 5 out of 5

Language : English
File size : 12323 KB
Text-to-Speech : Enabled
Screen Reader : Supported
Enhanced typesetting : Enabled
Print length : 285 pages



Ordinary Poetic Anthology of Culture, Immigration, Identity

Product Description This anthology is a celebration of the human experience in all its complexity. It brings together a diverse range of voices...



Unveiling the Enchanting World of Ernesto Nazareth's Brazilian Tangos

A Musical Journey into the Heart of Brazil Step into the enchanting world of Ernesto Nazareth, a Brazilian composer whose captivating tangos...